



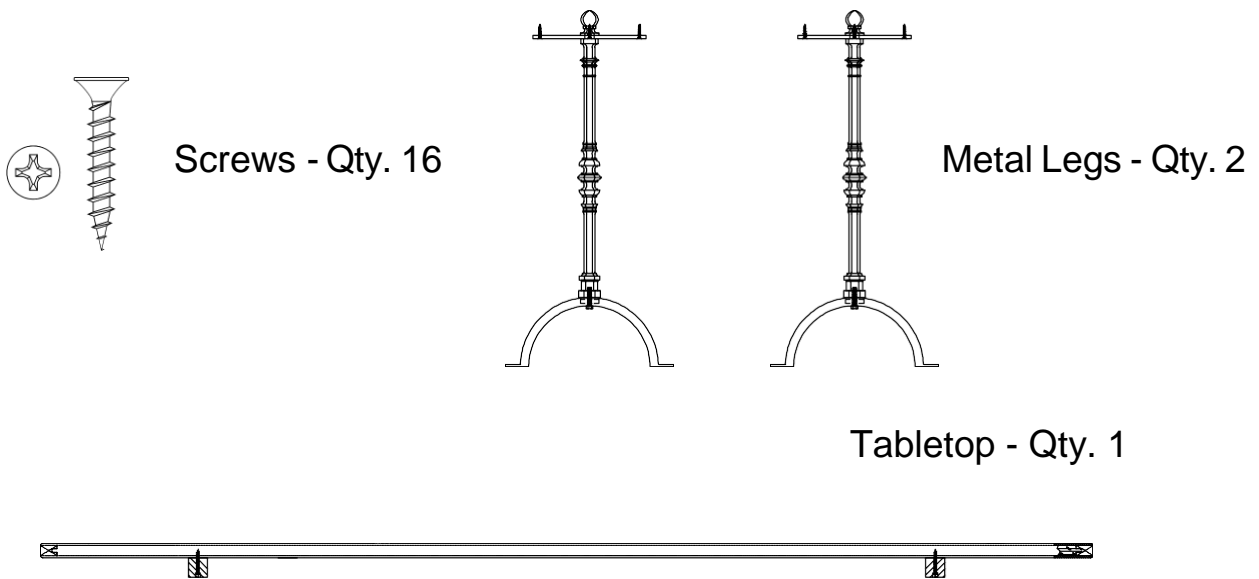
# ELOQUENCE®

*Maison Fondée en 2002*

## ST. REMY CONSOLE TABLE Assembly Instructions & Care



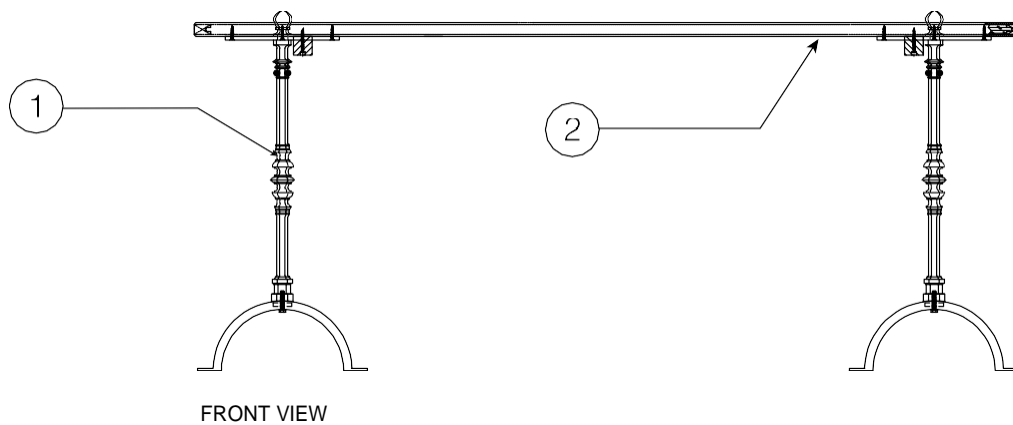
## PARTS INCLUDED



## SAFETY INSTRUCTIONS

1. Always exercise care and precaution when moving heavy furniture, to avoid injury and/or damage to the product. You will need at least two people for this installation. Be mindful when moving and placing furniture as to not damage the piece of flooring.
2. Periodically check all fixtures to ensure none have come loose. Re-tighten when necessary. Incorrect assembly of furniture can be dangerous, so please follow our directions.
3. No liability will be accepted for any damage or injury caused by incorrectly assembled furniture.

## ASSEMBLY



## INSTALL INSTRUCTIONS

1. Provide a clean and clear area where you will be installing the table, and set both legs on the ground parallel to each other roughly 3 to 4 feet apart. Make sure legs are close enough together to sit inside the wooden blocks, which have been pre-installed on the bottom side of the tabletop.
2. With two people, set wooden tabletop on to the top bars of the metal legs.
3. Place/slide metal legs up against the outside of the wooden blocks underneath the table top, for optimal spacing and leg room.
4. Use provided screws to fasten metal legs to wooden tabletop.
5. Clean up any area. Enjoy!

### CARE INSTRUCTIONS

The use of coasters or placemats helps to prevent marks or stains on wooden table top.

When cleaning, wipe the tabletop with a diluted solution of mild detergent and warm water. Always clean the whole top rather than one area to avoid any patches of discoloration over time.



ELOQUENCE®

*Maison Fondée en 2002*

WWW.ELOQUENCE.COM  
3601 Holdrege Ave.  
Los Angeles, CA 90016  
T: 310-876-0661 F: 310-876-0667  
E: INFO@ ELOQUENCE.COM