

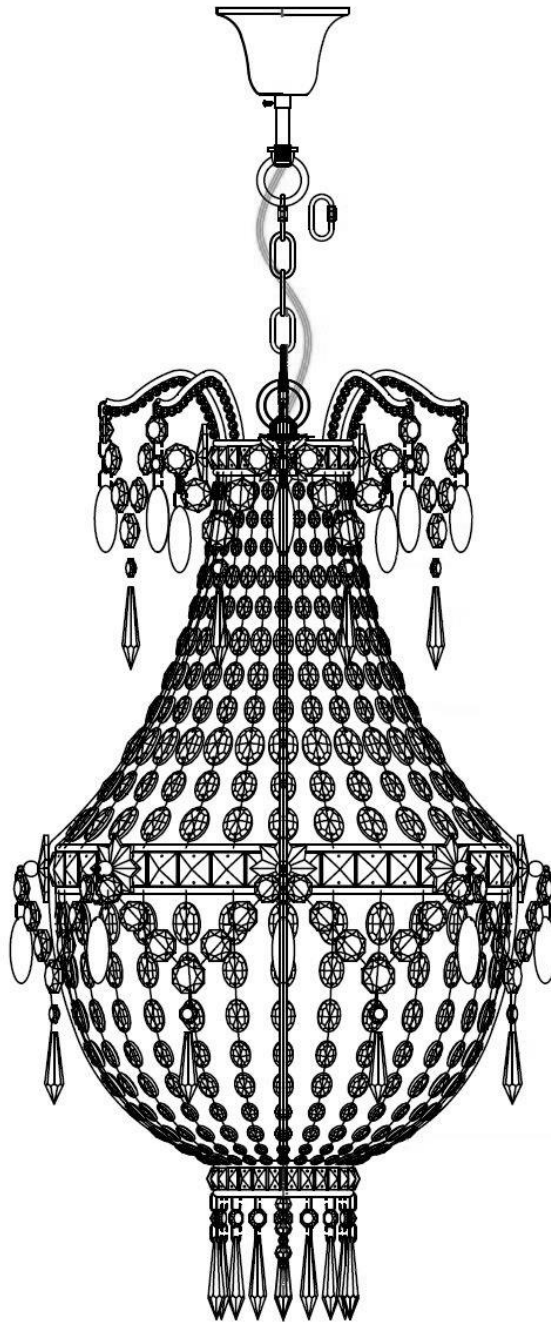


ELOQUENCE®

Maison Fondée en 2002

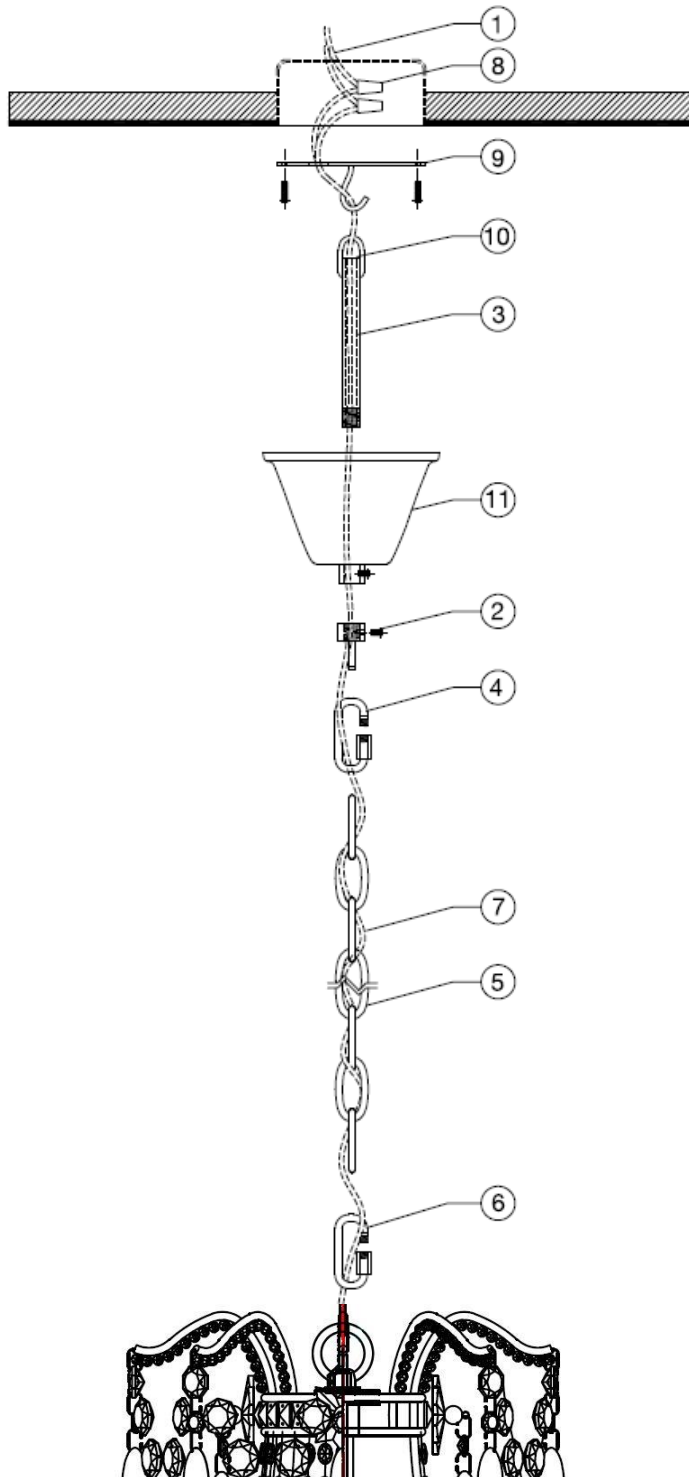
ROCCA CHANDELIER

Assembly Instructions & Care



ELOQUENCE®

HARDWARE & ELECTRICAL



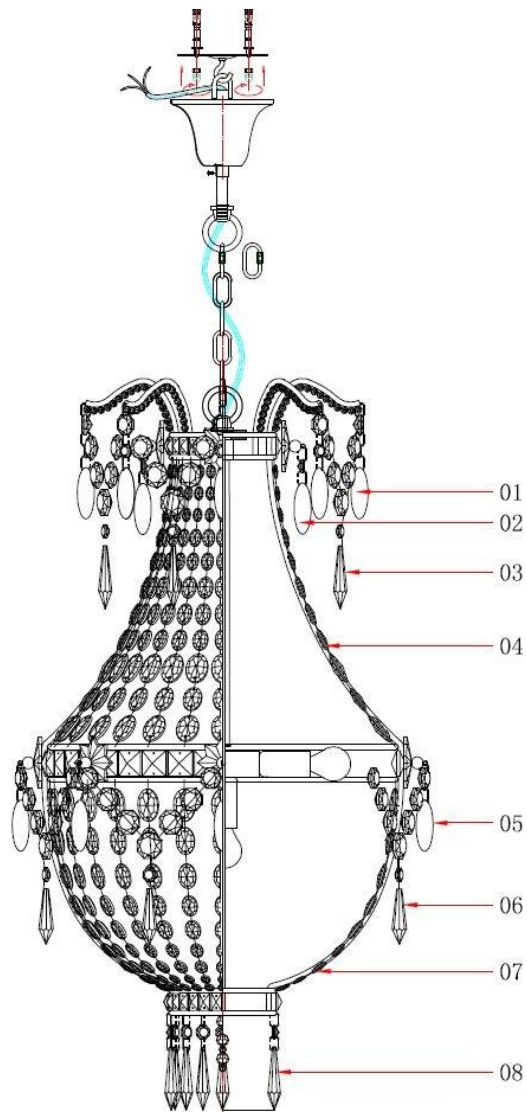
INSTALLATION INSTRUCTIONS









- 1 - SHUT OFF THE MAIN ELECTRICAL SUPPLY FROM THE MAIN FUSE BOX/ CIRCUIT BREAKER TO THE J-BOX.
- 2 - Loosen up screw on threaded loop.
Twist off the loop allowing you to slip the IPS stud (#3) through the canopy.
Once you complete step (#3), thread loop back onto stud.
- 3 - Feed threaded IPS stud through canopy collar.
- 4 - Connect quick link to the loop (#2) and to end of chain.
- 5 - Chain height can be custom by moving the bottom quick link (#6) up and down as necessary.
- 6 - Connect quick link at desired chain height and to the loop at top of chandelier frame.
- 7 - Feed electrical cable through the chain, canopy and match plate until reaching the J-box.
- 8 - Make proper electrical connections.
This installation should be done by a qualified licensed electrician.
- 9 - Attach match plate / hook to J-box.
- 10 - Connect entire canopy, chain & chandelier frame to match plate / hook.
- 11 - Slide canopy up to ceiling line so that it covers the match plate and J-box, then tighten screw at the bottom collar.

UL LISTED

ELOQUENCE™

CRYSTALS & CONNECTIONS



<p>①</p> <p>16#×1+24#×1</p>  <p>20×60 Olive beads 8 pcs</p>	<p>②</p> <p>16#×1</p>  <p>20×60 Olive beads 4 pcs</p>	<p>③</p> <p>16#×1+18#×2 +24#×2+30#×1</p>  <p>14×75 Tip beads 8 pcs</p>	<p>④</p> <p>15#×3+20#×3 +25#×3+30#×2 +38#×1 Oval bead</p>  <p>28 pcs</p>	<p>⑤</p> <p>16#×1</p>  <p>20×60 Olive beads 8 pcs</p>	<p>⑥</p> <p>16#×3+18#×2 +24#×2+30#×1</p>  <p>14×65 Tip beads 8 pcs</p>	<p>⑦</p> <p>15#×1+20#×3 +25#×2+30#×2 +38#×1 Oval bead</p>  <p>28 pcs</p>	<p>⑧</p> <p>16#×1</p>  <p>14×75 Tip beads 14 pcs</p>
--	--	---	---	--	---	---	---

CARE INSTRUCTIONS

To clean, wipe with a soft, dry cloth. Avoid the use of harsh chemicals or abrasive cleaners.

UL Listed, 25 watt max voltage.

Do not exceed wattage.



WWW.ELOQUENCE.COM
3601 Holdrege Ave.
Los Angeles, CA 90016
T: 310-876-0661 F:310-876-0667
E: INFO@ ELOQUENCE.COM