

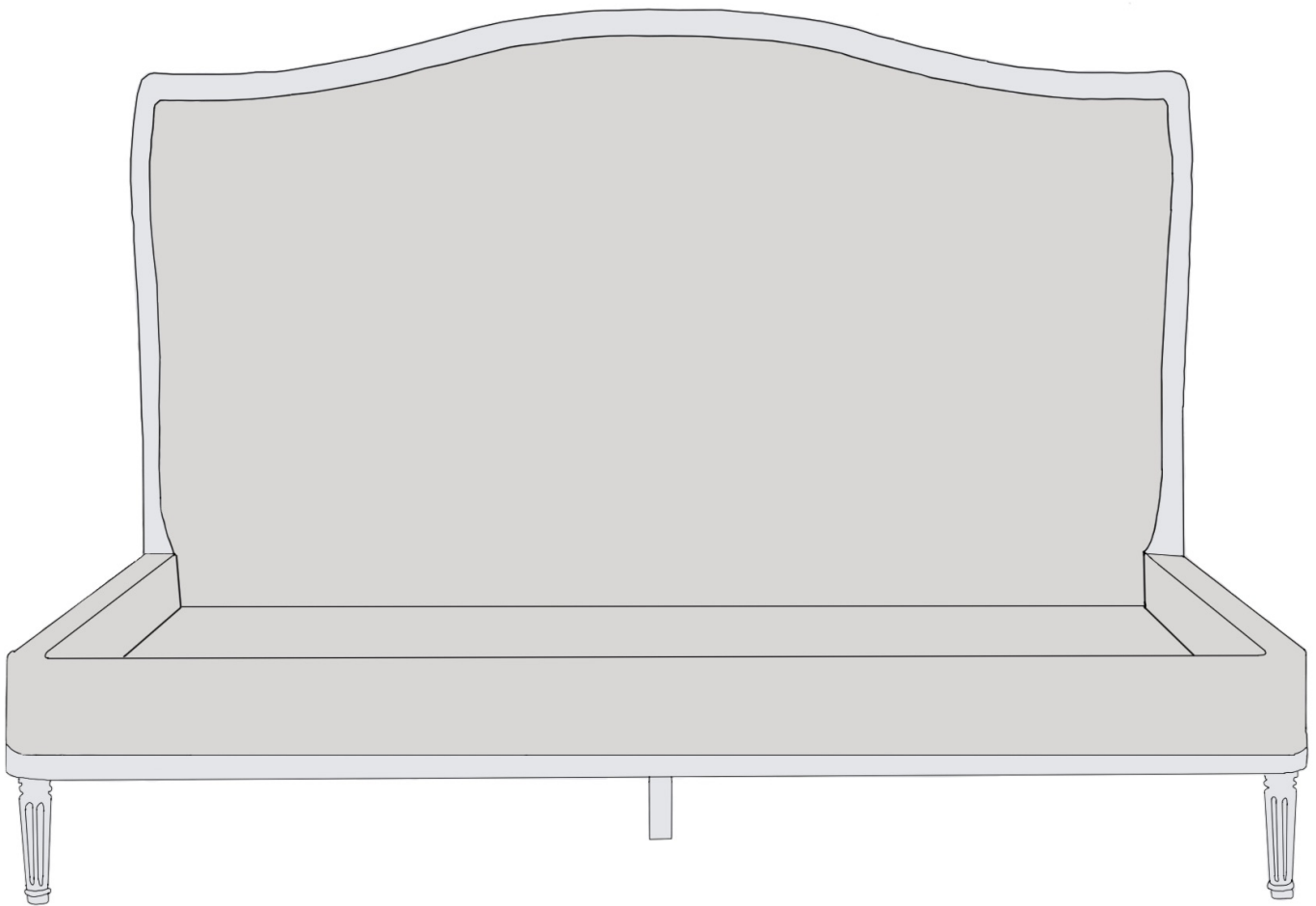


# ELOQUENCE®

*Maison Fondée en 2002*

## HELENA BED

Assembly Instructions & Care

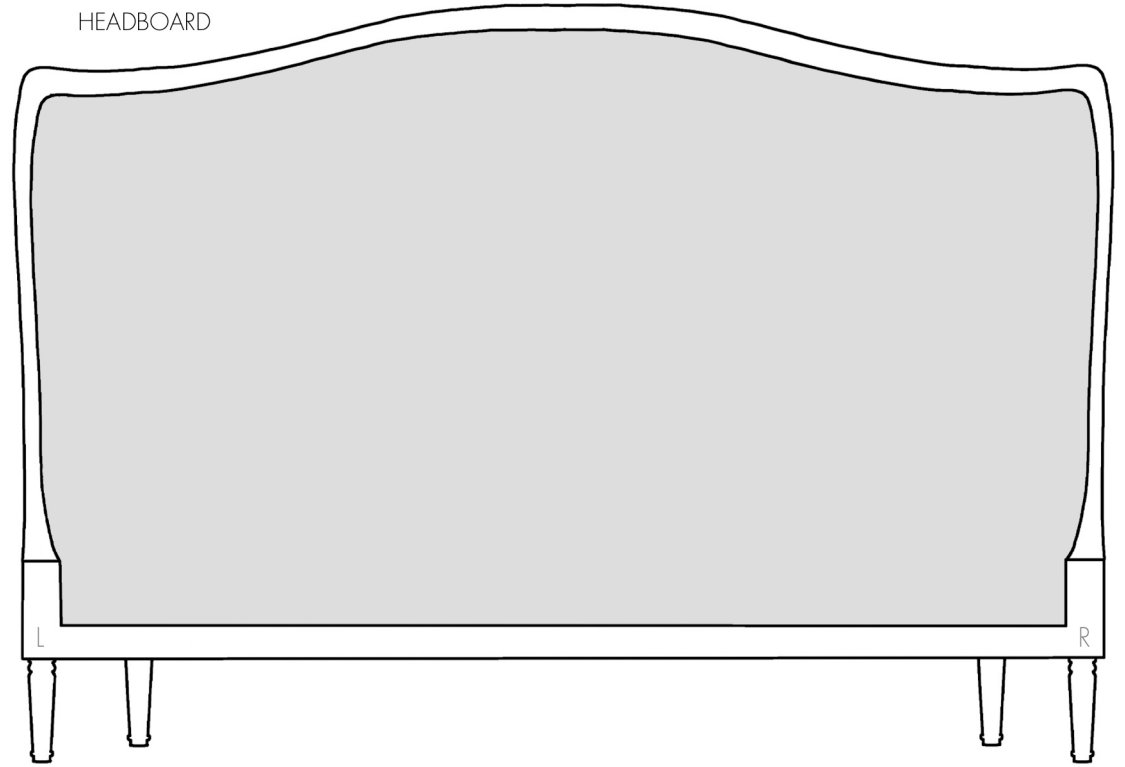


PLEASE NOTE:

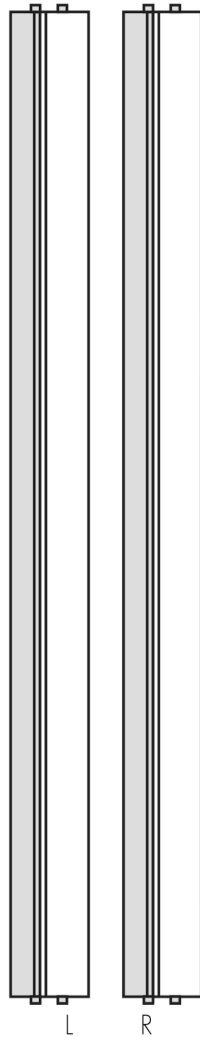
The Helena Bed can be assembled solo, but you will find it easier with two people!

LIST OF ELOQUENCE® HELENA BED PARTS

HEADBOARD



BED RAILS X 2

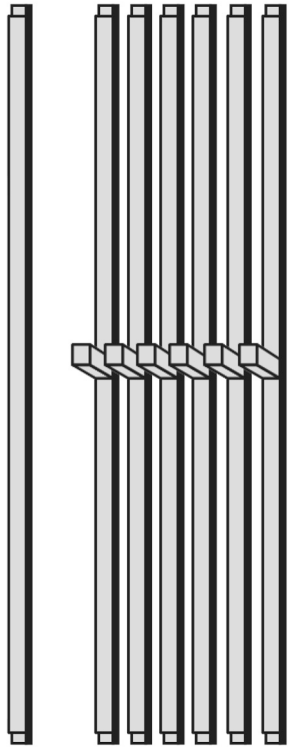


MATTRESS SLATS



STRAIGHT  
SLAT X 1

"T" SLATS X 6



FOOTBOARD



BRACKETS X 4



BED RAIL BOLTS  
AND WASHERS X 16



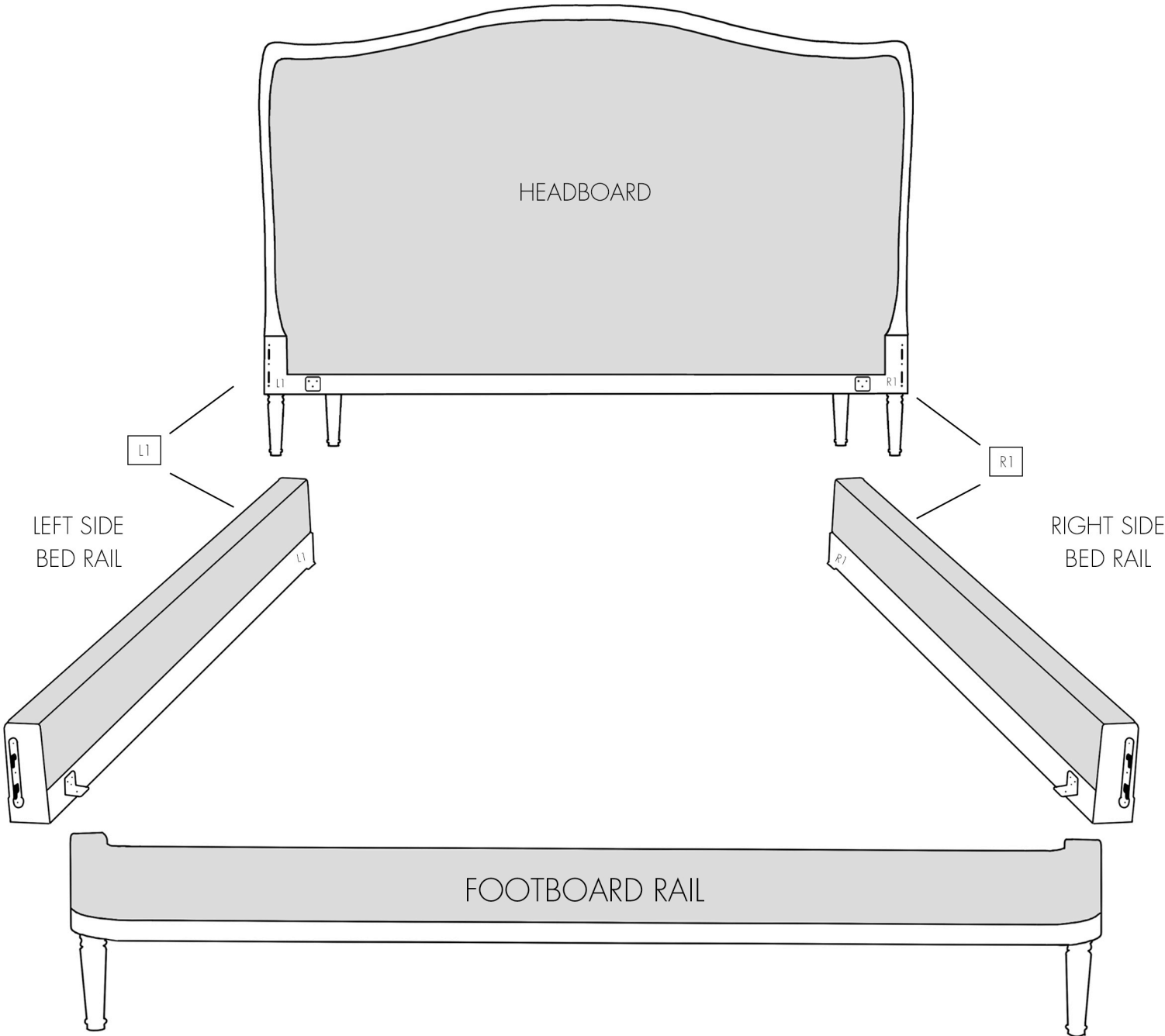
2X ALLEN WRENCH  
1 X HEX WRENCH



STEP 1.

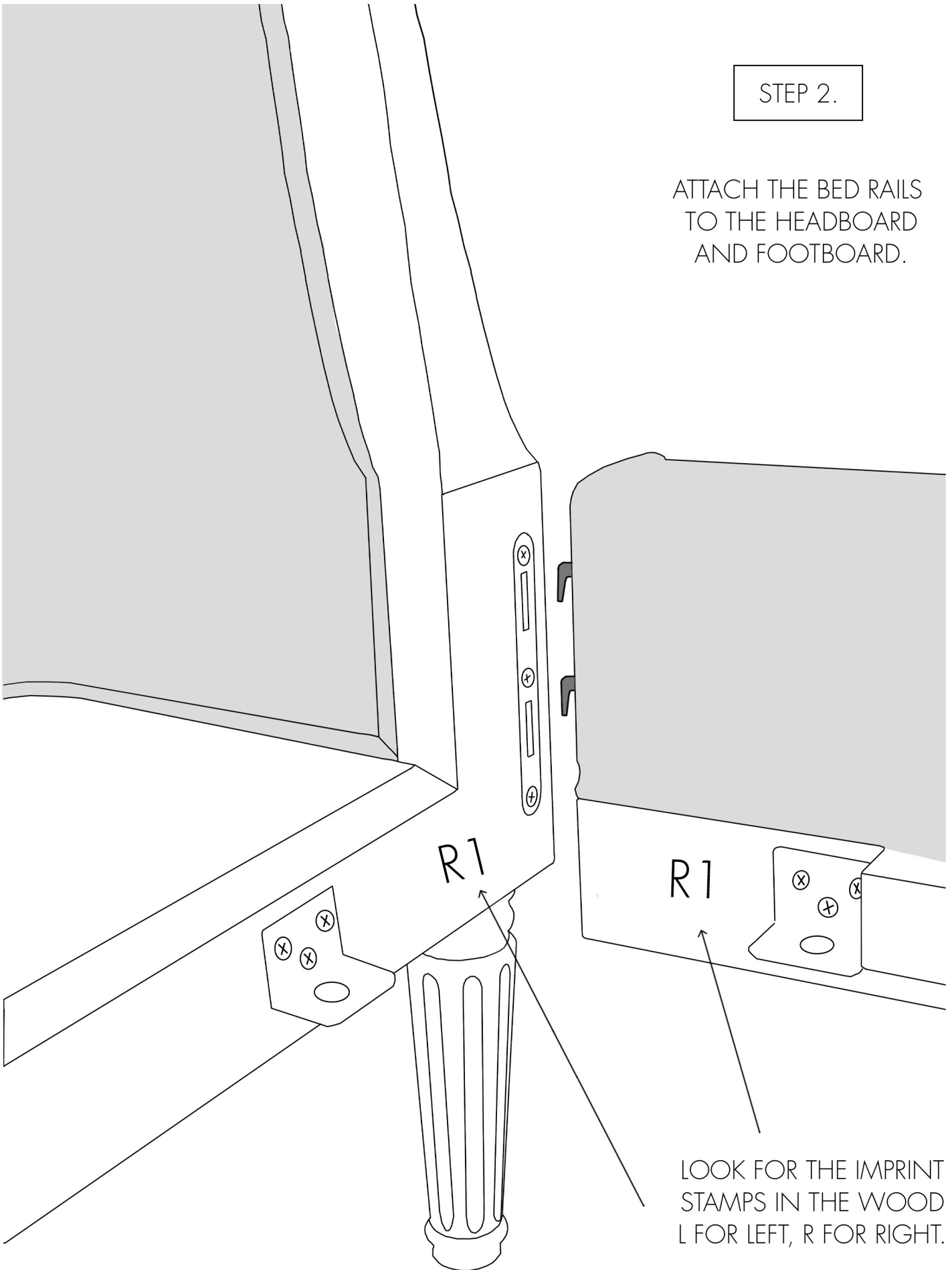
LINE UP THE HEADBOARD AND FOOTBOARD WITH THE LEFT AND RIGHT BED RAILS.

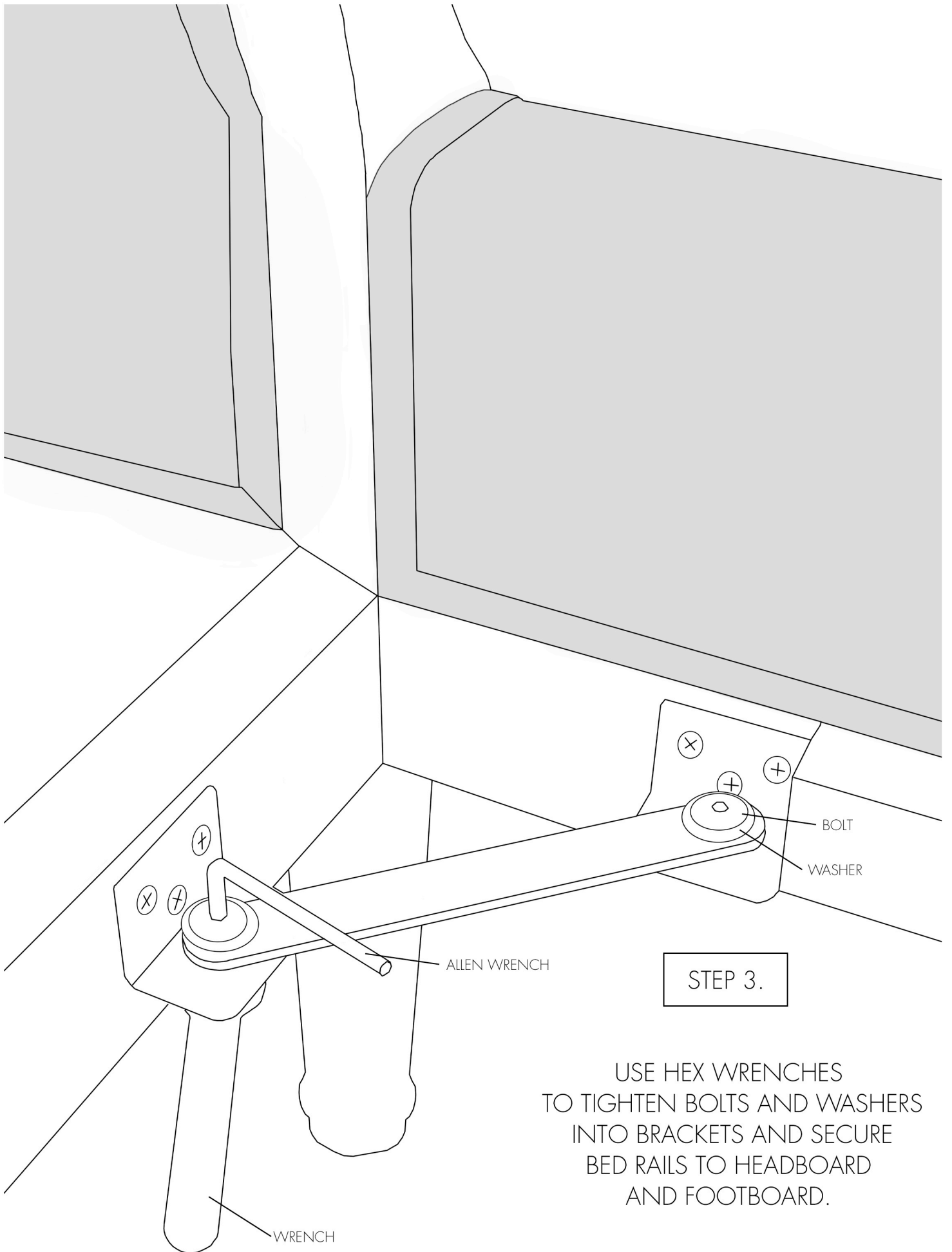
Please look for the L & R imprint stamps in the wood on each piece to guide you.



STEP 2.

ATTACH THE BED RAILS  
TO THE HEADBOARD  
AND FOOTBOARD.





STEP 4.

ONCE RAILS ARE ATTACHED SECURELY TO BED FRAME,  
INSERT MATTRESS SUPPORT SLATS INTO BASE.

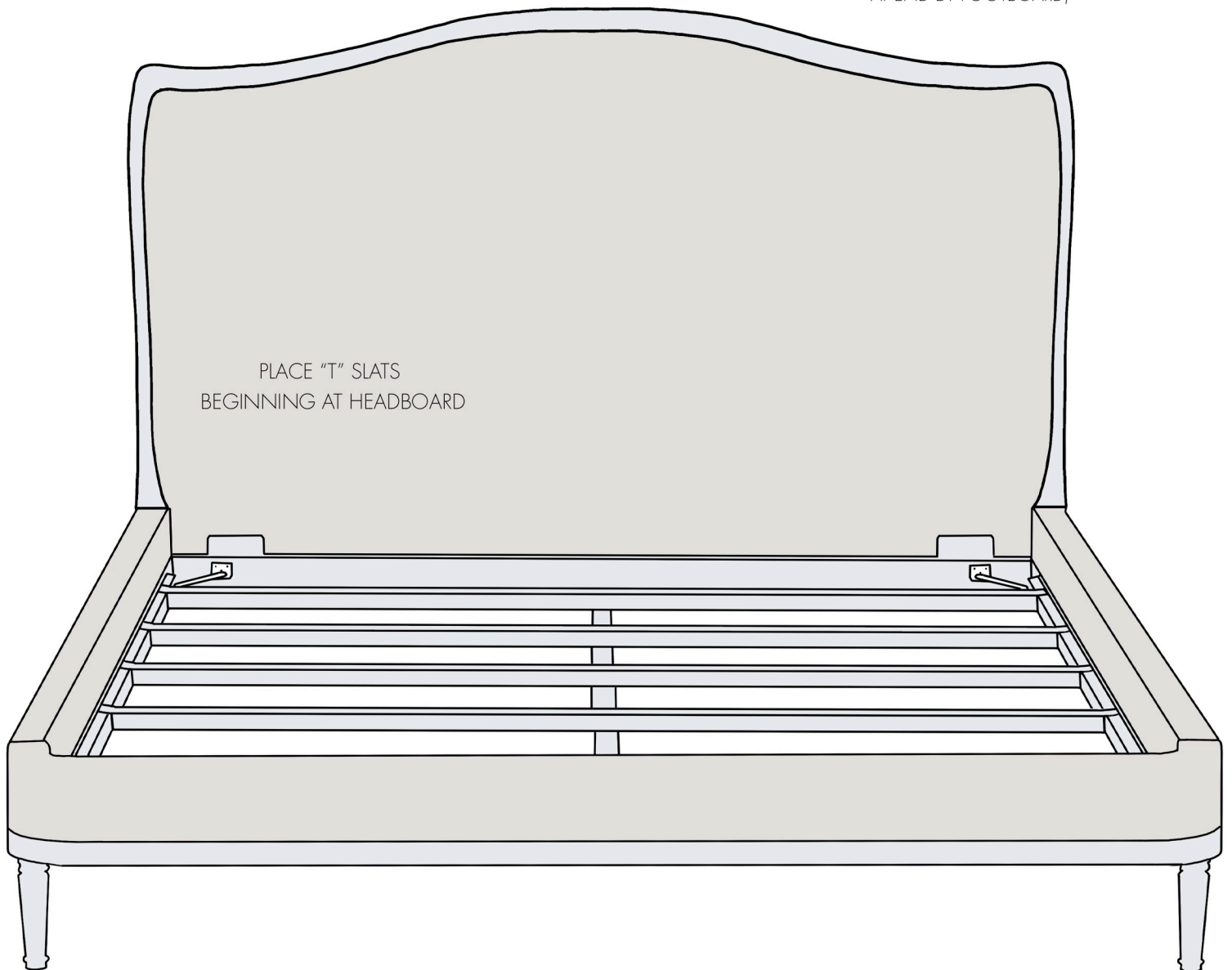


6 X "T" SLATS



1 X STRAIGHT SLAT

(STRAIGHT SLAT GOES  
AT END BY FOOTBOARD)



PLACE "T" SLATS  
BEGINNING AT HEADBOARD

## CARE INSTRUCTIONS

For best results, please consult a professional upholstery cleaner.

We hope you enjoy your Eloquence® piece for years to come.

---



ELOQUENCE®

*Maison Fondée en 2002*

WWW.ELOQUENCE.COM  
3601 Holdredge Ave.  
Los Angeles, CA 90016  
T: 310-876-0661 F: 310-876-0667  
INFO@ELOQUENCE.COM